

FRONT LOAD POST MIX URN

FPM-1 AND FPM-2

Introducing Newco's family of front access post mix dispensers. Designed and built with high quality components and easy set up & ratio adjustments. Newco dispensers deliver consistent drinks with every dispense. Reduce labor, eliminate waste and increase profits with the Newco family of post mix dispensers.

- *New front load design eliminates loading of heaving BIB's from top of dispenser. Simply slide the BIB into the front of the machine making it easy and safe to load.*
- *New narrow design frees up valuable countertop space for other beverages.*
- *1 product dispenser accommodates up to one 3-Gal BIB.*
- *2 product dispenser accommodates two 1/2 Gal BIBs.*
- *New low profile design is perfect for offices and locations with height restrictions under 18".*
- *Mechanical (non-electric) operation.*
- *Only 25 PSI static waterline pressure required.*
- *High quality, Stainless steel construction for years of trouble free service.*
- *Simple drink strength adjustment.*
- *Water pressure regulator to ensure drink taste consistency.*
- *Comes equipped with QCD connection (Scholle Connector optional)*
- *Rear shutoff valve.*
- *Custom branding and wraps of the dispensers available through Newco.*
- *Made in the USA*

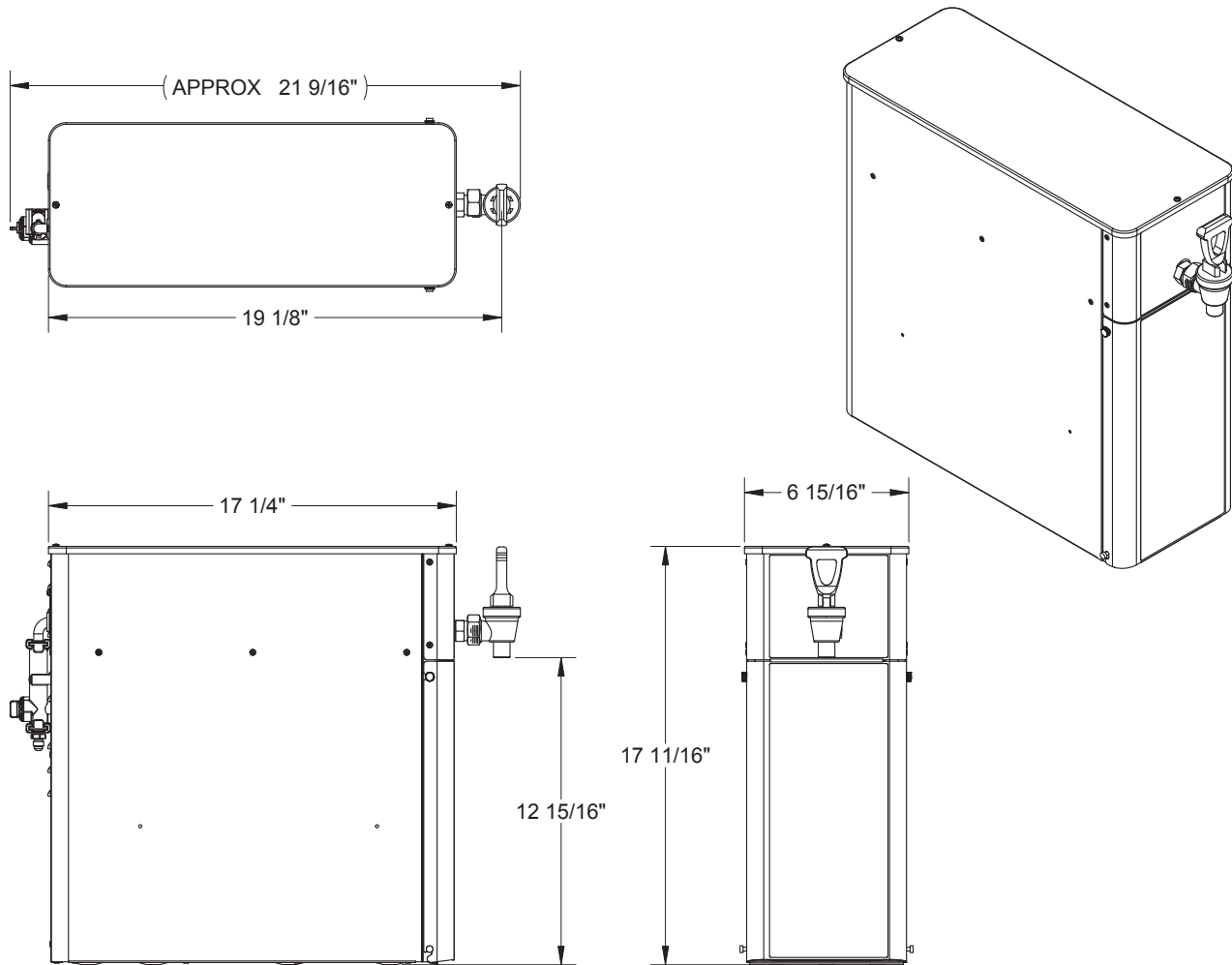


706631
Tea, Front Load, 2 Faucet



706661
Coffee, Front Load, 2 Faucet

FRONT LOAD SERIES TEA/COFFEE



PLUG AND PLAY OPERATION

Simply connect the front loader to a 1/4" flare water connection.

CUSTOM BRANDING

Front load series can be custom branded with your image helping you to promote your brand and services.

HEIGHT	WIDTH	DEPTH	VOLTS	WATTS	AMPS	WEIGHT
17.6875"	6.9375"	21.5625"	NA	NA	NA	26 lbs

706630	Front Load	Tea, Front Load 1, Faucet
706660	Front Load	Coffee, Front Load, 1 Faucet
706631	Front Load	Tea, Front Load, 2 Faucet
706632	Front Load	Tea, Front Load, 2 Faucet with Shelf
706661	Front Load	Coffee, Front Load, 2 Faucet
706662	Front Load	Coffee, Front Load, 2 Faucet with Shelf

1 Faucet: Accommodates one 3-Gal BIB
2 Faucet: Accommodates two 1/2 Gal BIBs